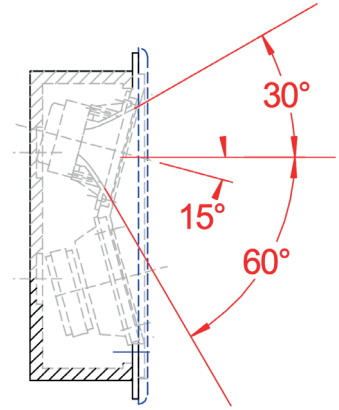
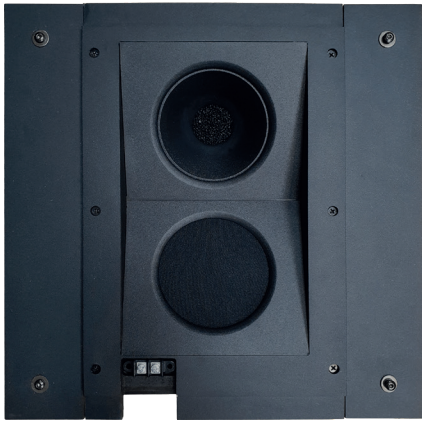




passive loudspeaker P5iCW

Wide - Surround - Height



INTRODUCTION

Based on the Procella P5 loudspeaker, the P5iCW is highly flexible and the optimal high performance in-wall/in-ceiling solution for Dolby Atmos, Auro-3D, and DTS:X immersive audio systems. Its tweeter and waveguide are angled at 15 degrees, giving designers the ability to place all speakers to provide optimal dispersion, whether used as a Top/Height channel, a Wide channel, or an ear-level Surround channel. The key is the P5iCW's circular waveguide and square enclosure/grille shape. Regardless of the number of channels in a system, each speaker can be oriented so that its high frequencies are directed towards the listeners, while its grille remains visually symmetrical with all the other speakers, whether the speaker needs to be aimed backwards, forwards, sideways, or down.

TECHNICAL SPECIFICATIONS

Impedance	8 ohms nominal Phase angles less than 45 degrees
Power Handling	
Continuous	75W
Peak	250W
Frequency Response	
- 3 dB	90Hz and 20kHz
Maximum SPL	
in wall/ceiling	113dB continuous 119dB peak
Dispersion pattern	
-6dB	Constant directivity 80° circular from 2.5kHz with 15° tilt
Sensitivity	
1m/1W	91dB
Crossover	Asymmetrical, phase-aligned 2.2kHz, BSC
Connectivity	Screw terminals

Components	
Midrange	5.25" driver with 26mm voice coil in 5 litre sealed box
High Frequency	1" Neodymium compression driver on a circular constant directivity waveguide
Dimensions	
Speaker HxW	340 x 340mm 13.375" x 13.375"
Depth (fits EU/U.S. walls)	overall 116mm / 4.5" inside wall 100mm / 3.875"
Cut out dimensions Grille HxW	305 x 305mm / 12" x 12" 350 x 350mm / 13.75" x 13.75"
Finish	White and Black grilles included
Shipping Carton	
HxWxD	400 x 400 x 300mm 15.75" x 15.75" x 11.81"
Net weight	11 Lbs / 5,0 Kg
Shipping weight	13,7 Lbs / 6,2 Kg
Assembly	Sweden; 100% QC testing